



## KUBE PIR Window TR231

PIR Window for use with TR23x cone optics and for applications without optics and lens

The PIR Window TR231 is ideally suited for use with the TR230 / TR232 cone, and seals it to the environment. The window TR231 can also be used in simple applications without optics and lens.



### Properties

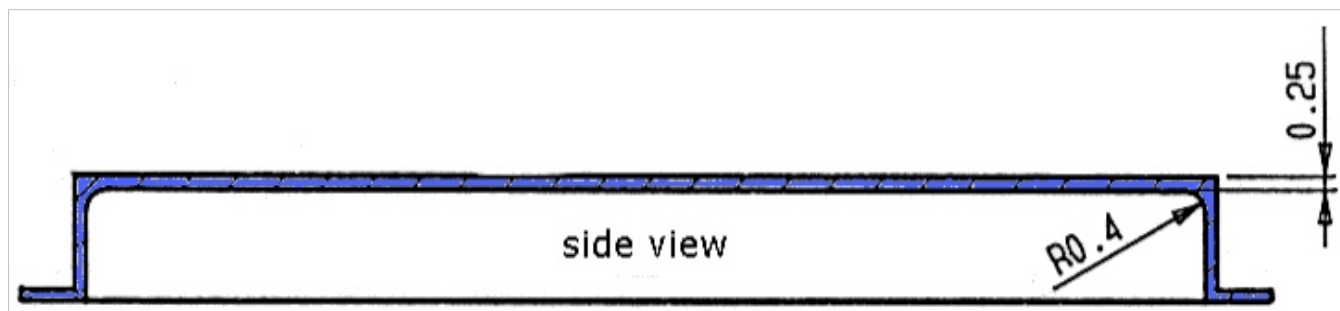
Model Nr.	TR231
First application:	Use with TR230 / TR232 cone optics
Second application:	For low range (max.2m) applications. Refer to page 3
Size:	8.6 x 21 mm
Advantage:	Vandal proof PIR window
2 <sup>nd</sup> advantage:	Line voltage isolation 2.5 kV

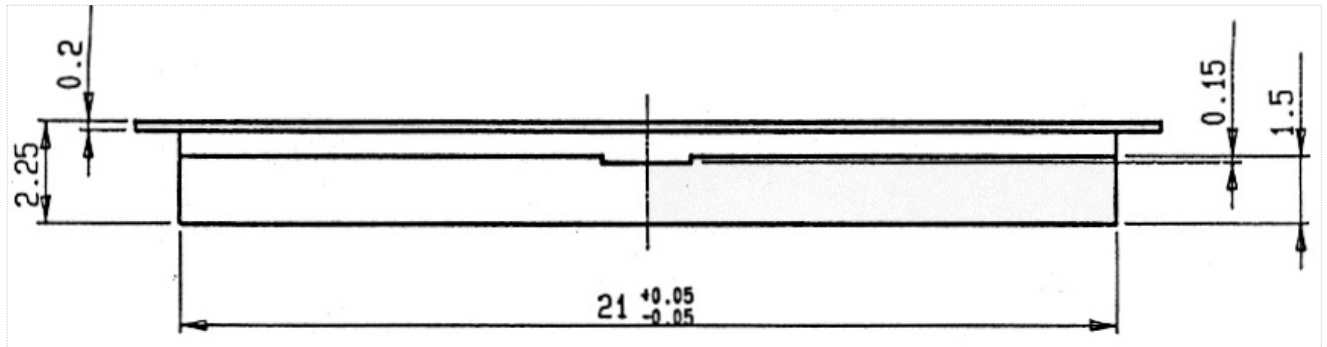
### Material

Infrared transmissive plastic, KUBE type 22400a, white (other colors available on request)

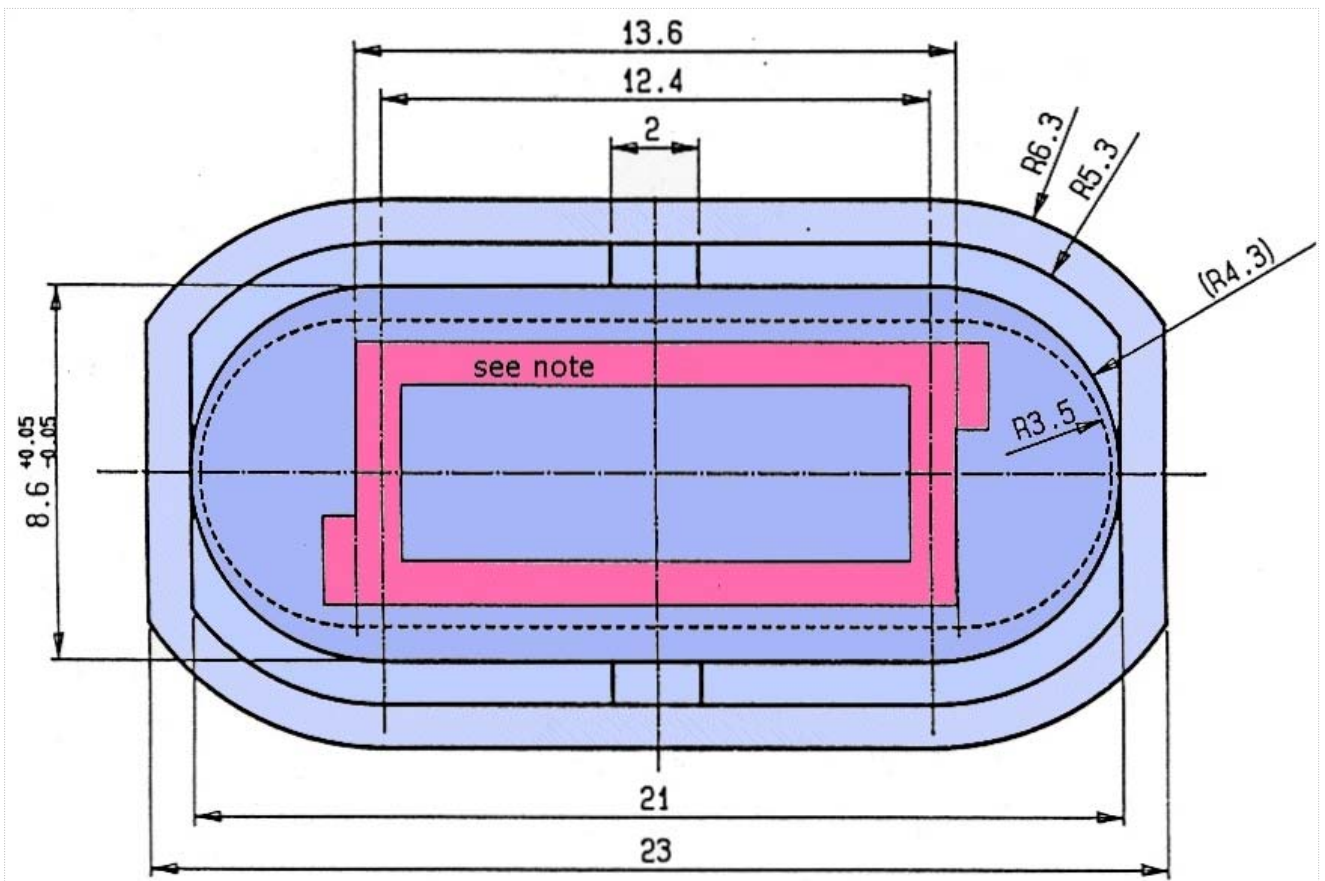
### TR231 side view

Dimensions in mm





TR231 top view



**Note:**

The pink contour shows positioning of TR230 / TR232 cone, if used.  
The required case opening corresponds to the darker blue oval, 8.6 x 21mm.  
The overall size is adequate to meet 2.5 kV isolation for mains operated applications (CE standard).



### TR231: Using Pyros without Lens

