

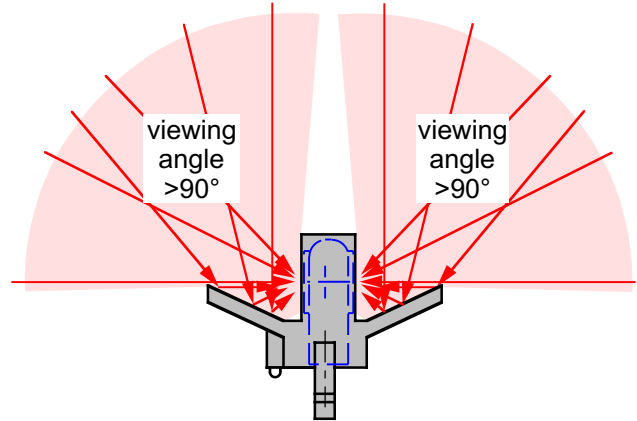


# KUBE TR241 Mirror

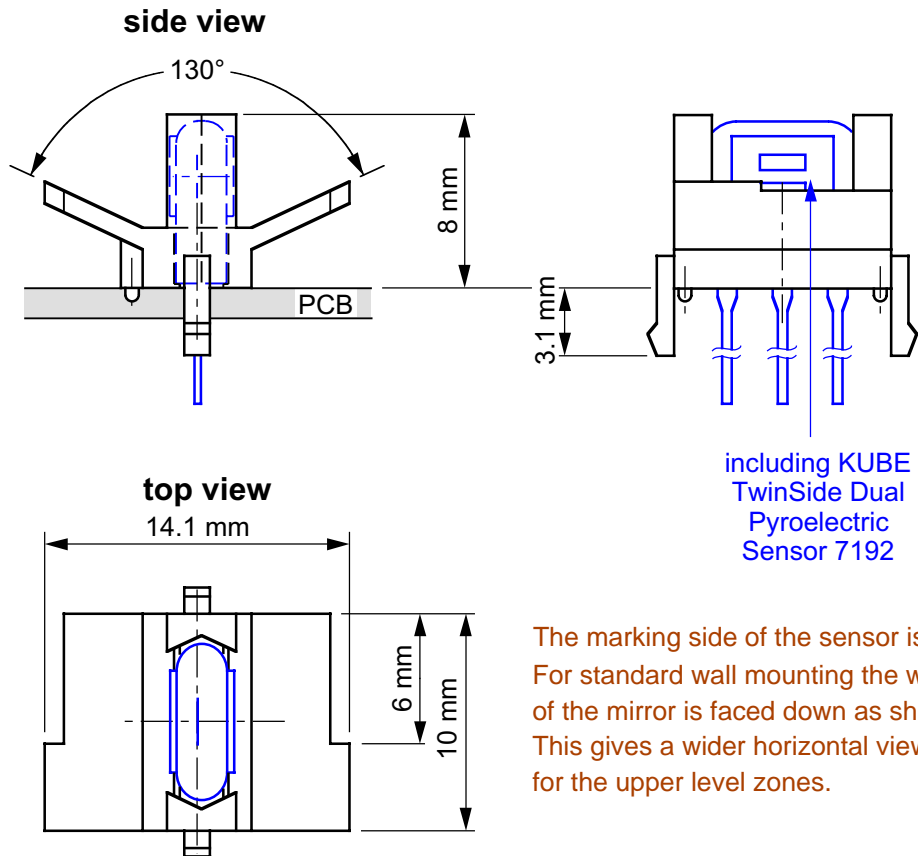
for use with KUBE 7192 TwinSide Pyroelectric Sensor

### Applications:

Wide angle (180°) PIR motion detectors, including lighting and intrusion alarm detectors. Asymmetric design to match the 7192 sensor geometry.

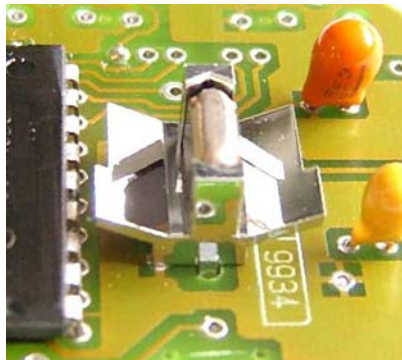


### Drawings:



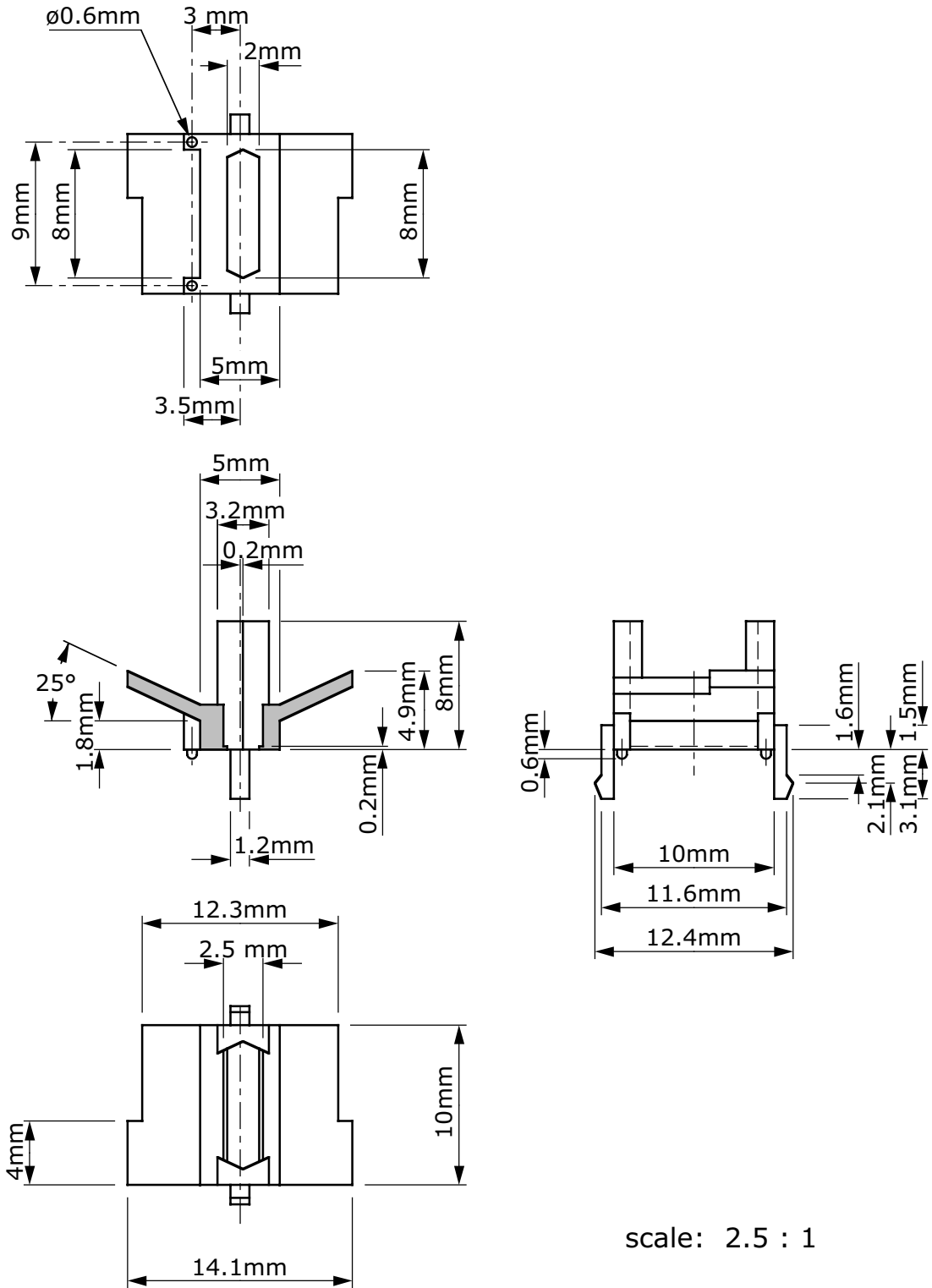
The marking side of the sensor is to the right. For standard wall mounting the wider side of the mirror is faced down as shown. This gives a wider horizontal viewing angle for the upper level zones.

**Typical Application:**  
TR241 with 7192 Sensor  
on PCB





Dimensions:



scale: 2.5 : 1