



KUBE Golfball Lens TR240

Advantages

- Small & mechanically stable
- Wall and ceiling mount
- Easy assembly on PC-board



Properties

Model Nr.	TR240
Suitable for, Range min.:	0.2 Meter
Range max.:	6 Meters
Typical mounting position:	Ceiling
Alternative mounting position:	Application specific
Horizontal angle:	100°
Vertical angle:	+/- 35°
Lens size:	26.1 mm dia.
Focal length:	14.4 mm
Front window needed:	No
1st Advantage:	Wide angle
2nd Advantage:	Small

Drawing : see Page 2

Material : IR transmissive HDPE plastic

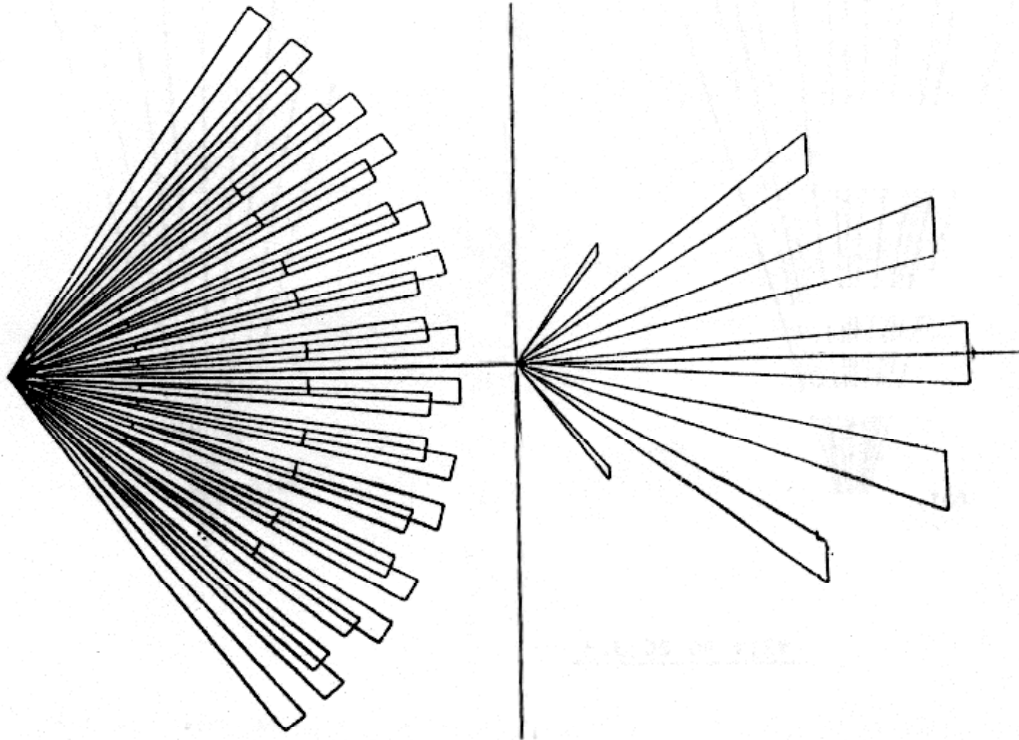
Color : natural opaque. White or special colors, also for outdoor applications, available on request.

- Applications :
- Close range people detection
 - Process control
 - Safety functions

Golfball lenses are patented under USP 4,930,864 (and others)



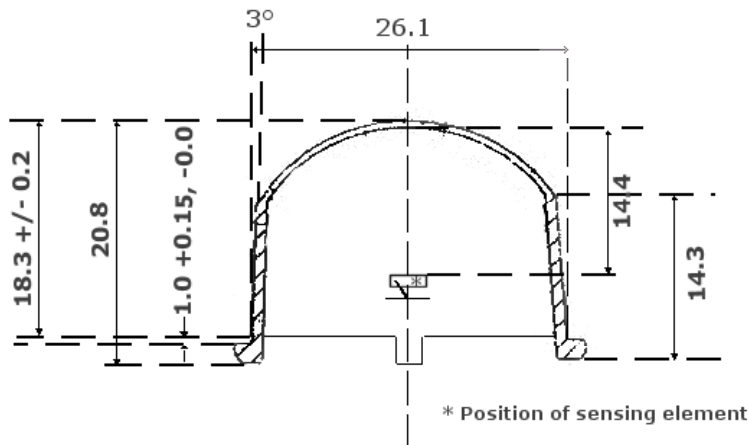
Range 4m (max. 6m)



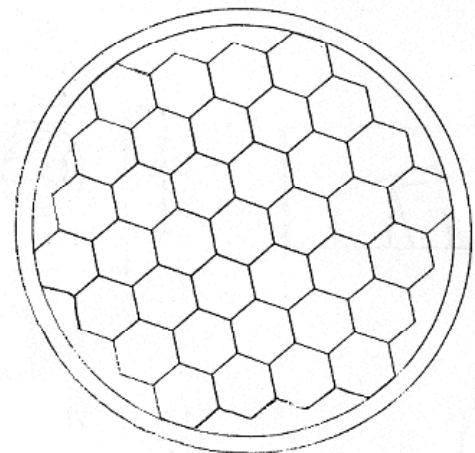
Field of View (Top View)

Field of View (Side View)

Drawings :



SideView



FrontView