

KUBE Ceiling Lens Array TR248

Features:

- MultiZone lens for alarms and light switches
- Powerful, for medium range applications
- Medium field of view, dense pattern, ceiling mount
- Low false alarm rates
- Flat design



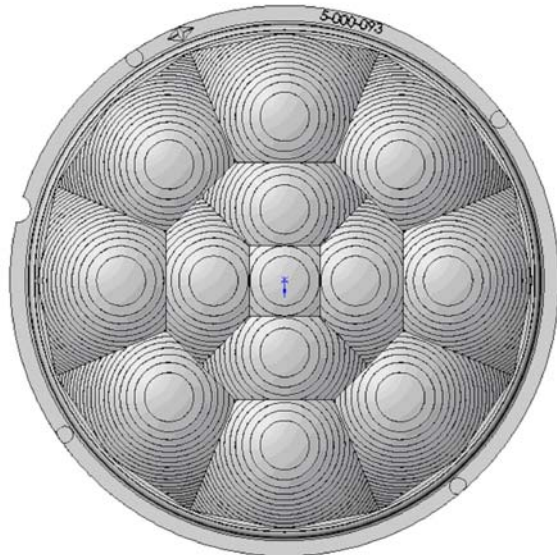
Properties

| | |
|------------------------|--|
| Recommended Range : | 12 meters |
| Installation height : | 2 - 12 meters |
| 13 lens elements : | 1 center, 4 narrow, 8 wide |
| Horizontal angle : | 53° |
| Vertical Angle : | 53° |
| Focal length : | 23 mm |
| Lens diameter : | 38.6 mm / 36.46 mm |
| Lens material : | High density polyethylene |
| Colors : | natural, other colors on special order |
| Fixation : | mechanical on rim, lens flat |
| Ideal to comply with : | medium field of view applications |

Note: optimized for dual element pyroelectric sensors

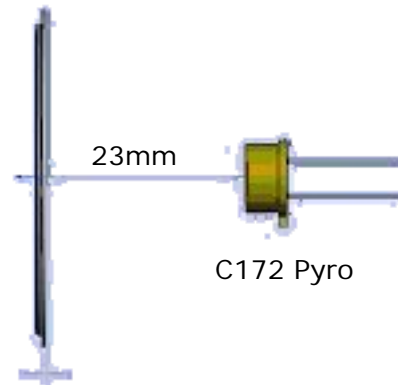


Drawing



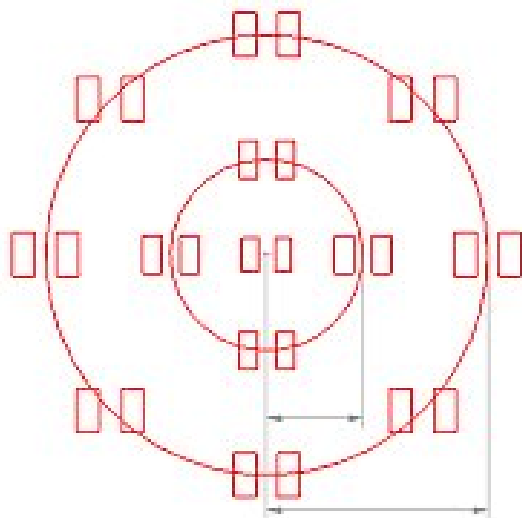
Angle between notch and horizontal 15°

Recommended mounting



Material thickness 0.46mm

Field of view (Top)

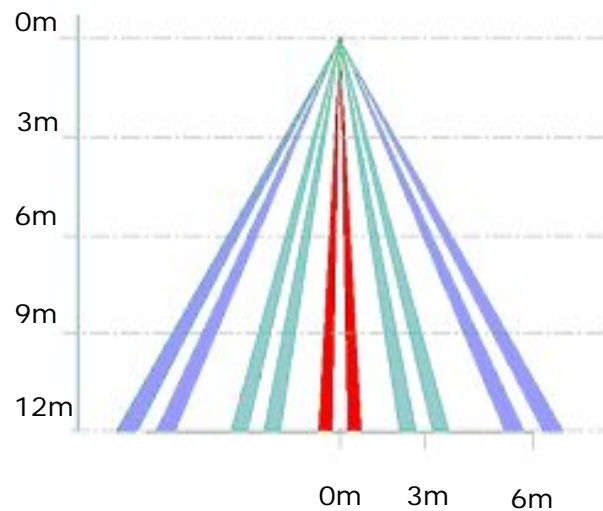


Inner radius 2.65 m

Outer radius 6.1 m

(Mounting height 12 m)

Field of view (Side)



For special applications,
wall mounting is also possible